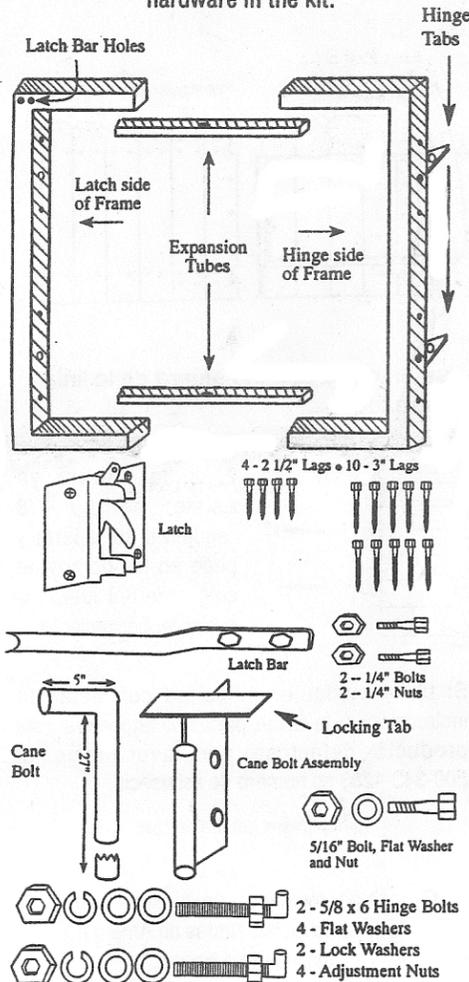


--INSTRUCTIONS--

- Please read through before you start building your gate.
- This unit may be expanded out to (7) seven feet wide.
- You may use two units together:
- You may use this unit in combination with the GateMate Small Gate.
- You may hang this unit on wood posts, concrete walls, or GateMate Building Attachment Kit.

Should you have difficulty with these directions, have parts missing, or find any defect in this product, please call 510-568-8885 for assistance.

Below is a list of all the hardware in the kit:

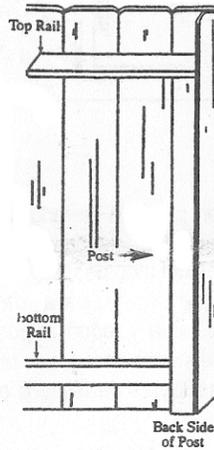


INSTRUCTIONS FOR THE WIDE GATE KIT

Note: if you are using other GateMate building accessories with the wide gate kit, review all the directions before you proceed with this project.

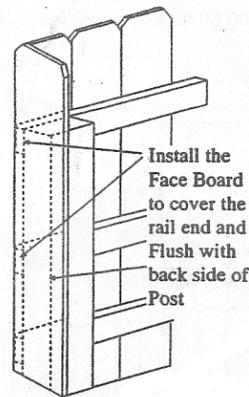
STEP 1

Decide which direction your gate will swing and turn the hinge side of the frame so the hinge tabs are facing that direction.

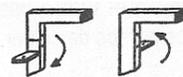


If your gates are swinging out, install this face board first to both sides, if swinging in, you won't need the face boards.

The hinge tabs have been mounted to allow the gates to swing either in or out (one direction only).



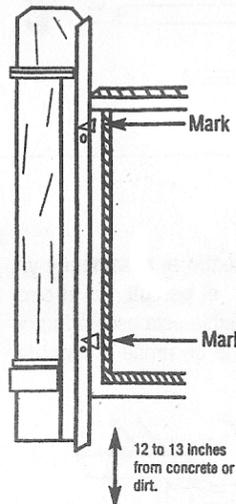
Following the directions, you will have no gaps between your posts and the gate when in the closed position. The direction of the tabs dictates the direction of swing:



NOTE: If you have a wood post on one side and are using a GateMate Building Kit a your gate post on either side, begin with installing the first side on the House Attachment Kit. The match the second frame on it. Also, if you are using the wide gate unit in combination with the GateMate Small gate, and are using the House Attachment Kit to hang the small gate on, begin with the small side installation. Hang the Wide Gate Kit to fit the install Small Gate. If no House Attachment Kit is involved, begin with the wide gate and match the Small Gate on it.

STEP 2

Install the 6" Hinge Bolts: (If you have a 6" or 8" post, you'll need to also buy a pair of 10" J bolts - code # 6011082).



Hold the hinge side up to the post, 12" to 13" off the ground and mark the level of your holes.

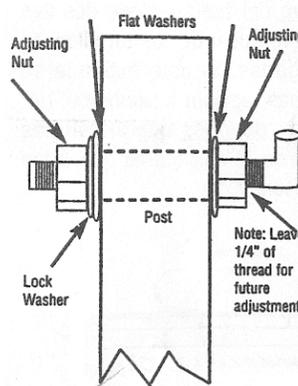
If swinging in, the holes will be 1-1/4" from the back side of post.

If swinging out, the holes will be (1") from the front side of the post. (Posts at 4" x 4")

Then, drill 5/8 inch holes and install the 2 hinge bolts.

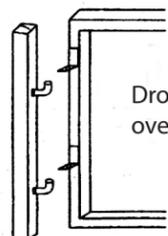
STEP 3

install the two 5/8" hinge bolts leaving 1/4" of thread showing on the gate side.



Tighten both up swing and remember this is how you can adjust later on. These butts will loosen up as your posts swells and shrinks throughout the season so checking them each year is recommended.

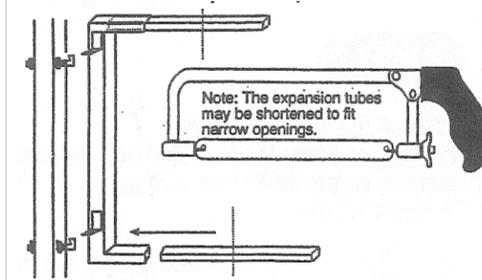
STEP 4



Drop the Hinge side down over the Hinge Bolts.

STEP 5

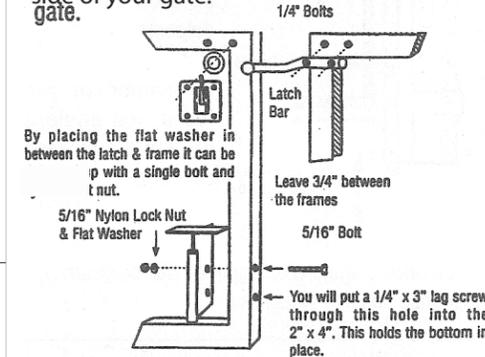
Slide in both extension tubes (keeping the holes in a vertical position).



Note: The expansion tubes may be shortened to fit narrow openings.

STEP 6

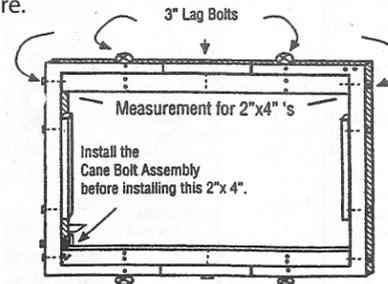
Bolt on the cane bolt assembly and either the latch or latch bar to latch side of the frame. The assembly sits on the inside of your gate with the top, flat tab on the back side of your gate.



By placing the flat washer in between the latch & frame it can be up with a single bolt and nut.

Leave 3/4" between the frames
5/16" Nylon Lock Nut & Flat Washer
5/16" Bolt
You will put a 1/4" x 3" lag screw through this hole into the 2" x 4". This holds the bottom in place.

Determine the width you want and measure the distance inside the frame. Cut two 2"x4" boards this length and install them using the 3" lag screws provided. If you expand your gate 5 feet or more, drill 1/4" holes through the frame, after you have installed the 2"x4" boards, at the points marked X and fasten with extra 3" lag screws provided as shown here.

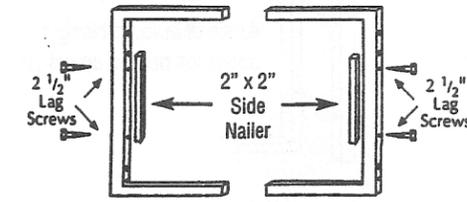


Measurement for 2"x4" s
Install the Cane Bolt Assembly before installing this 2"x4".

Now that you have finished it is important to know that the cane bolts always must be under the catch to insure the "zero sag" desired. Adjustments can be made in the future by using a crescent wrench on the hinge bolts.

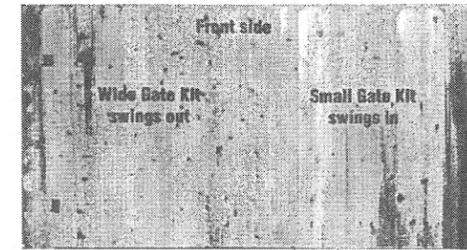
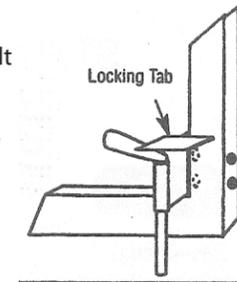
STEP 7

Using the 1/4" x 2 1/2" lag screws, mount the 2"x2" side nailers, about 24" long. (you can rip a 2"x4" in half for these).

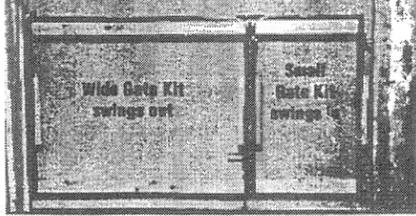


STEP 8

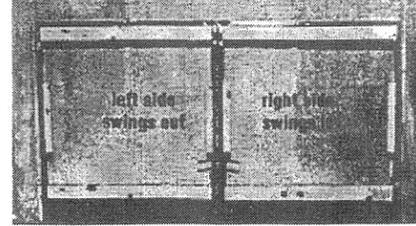
A. Drop the cane bolt into the assembly and mark the concrete. Drill a 3/4" hole about 1" deep



1 Wide Gate Kit and 1 Small Gate Kit



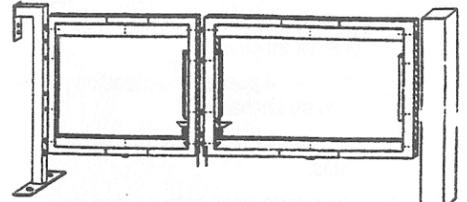
2 Wide Gate Kits



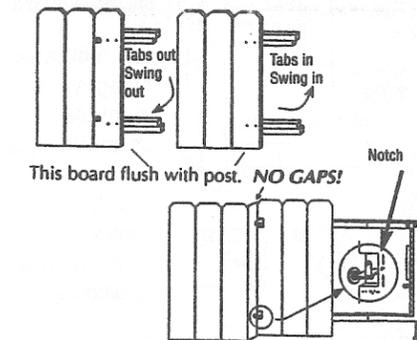
cane bolts are under the locking flaps

STEP 9

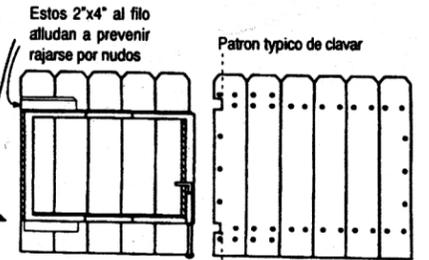
With the gate (s) in the closed position, you may now install your fence boards with nails or screws. Begin attaching your boards from the hinge and post side. If gate swings in (tabs in) simply slide your board over & touch the post, and secure. If you gate swing out, you'll have to notch around the hinge tabs as shown.



To keep your boards from splitting due to the notching, we recommend you cut two 16" 2"x4"s and nail on as shown.



This board flush with post. NO GAPS!



Estos 2"x4" al filo ayudan a prevenir rajarse por nudos

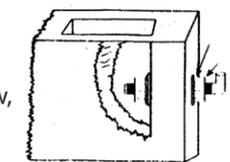
Patron tipico de clavar

Use a small finishing nail outside the split line.

BLOCK WALL FASTENING

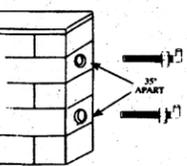
Whether your wall is new or old, wide or narrow, this system makes it simple to attach and build super gates!

1. If the wall is just being built; simply take the 5/8" hinge bolts out of either gate kit and bolt them in as you go, 35" apart, centered.



Apriete fuerte (Flat washer, Lock washer, & nut on inside & outside of Block)

2. If the wall is existing; drill 5/8" holes 35" apart and epoxy in the 5/8" hinge bolts out of either kit.



Thank you for using GateMate. Your Partner for Successful Gate Building.